

USAGE AREAS:

It is suitable for use in outdoor and indoor sports facilities, concerts and event areas.

SYSTEM DEFINITION:

The Substitute Bench, produced in accordance with standards, is a system protected from foreign objects and bad weather conditions.



FEATURES:

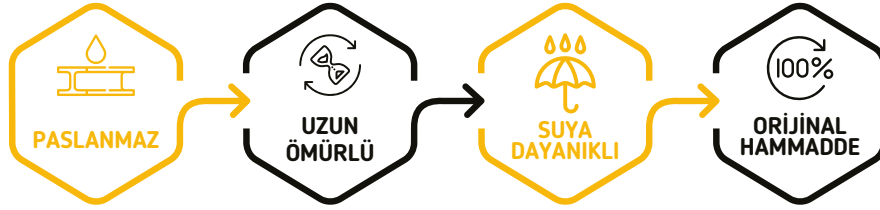
It can be prepared in different sizes and can be easily assembled.

PLAYER BENCH

TECHNICAL SPECIFICATIONS

SEAT AND BACK UNITS

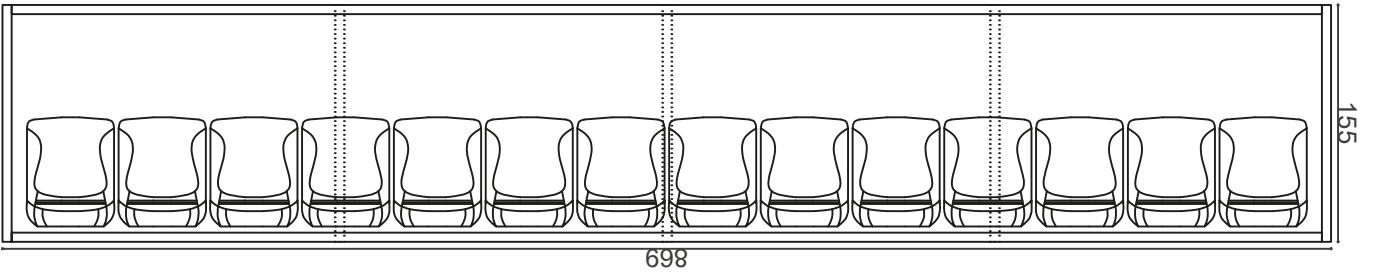
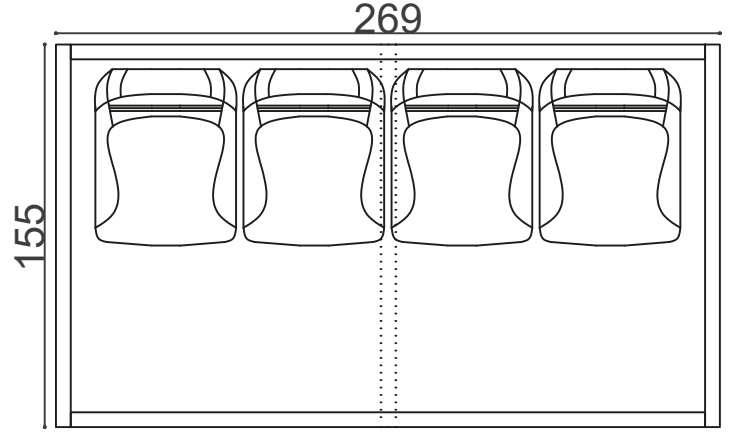
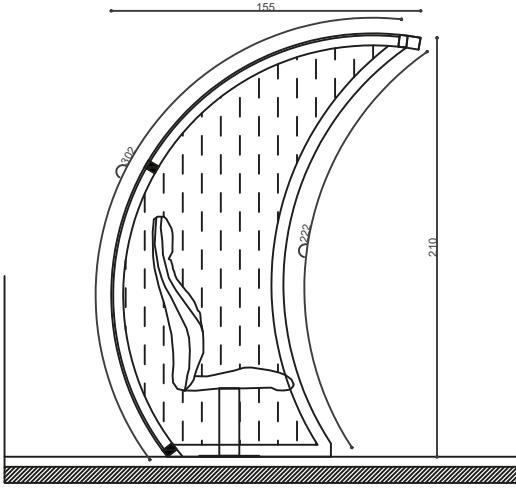
| | |
|---|--|
| 1 | The football booth is produced with a height of 200 cm and a depth of 110 cm. |
| 2 | In the construction of the booth, 10 mm corrugated polycarbonate sheets and 40x60 mm box profiles are used, providing durability against breakage. |
| 3 | These booths can be prepared in different dimensions and exhibit resilience against all external conditions. |
| 4 | Thanks to its portable feature, the booths can be produced in a portable manner and easily assembled at the desired location. Additionally, spare booths have the capability to be mounted both in a portable and fixed manner. This feature allows the booth to adapt to various usage scenarios. |



PRODUCT IMAGES



TECHNICAL DRAWING



PLAYER BENCH

APPLICATION AREAS



stila[®]
Design & Build